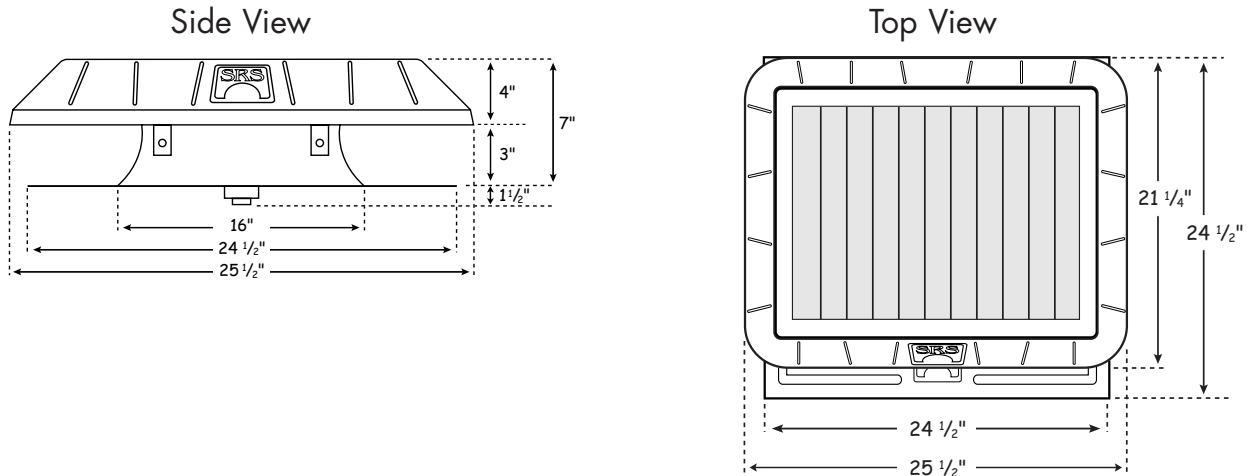


The SunRise™ Attic Fan

Specifications for Models #FB7266, #CB7266

- Solar Panel: 11 Watts, multiple-stacked cell, flexible and non-breakable, shade and shadow tolerant. Tefzel protective coating. Silicone-based proprietary panel adhesive.
- Motor: 1–38volt DC with external brushes.
- Wire: Proprietary 18/2 red/black.
- Fan Blade: 12" diameter, 5-blade aluminum with balanced hub.
- Hardware: Stainless steel motor brackets, fasteners, and screen. Aluminum rivets.
- Top and Base: UV-Stabilized ABS plastic with acrylic cap (paintable).
- Airflow: 850 Cubic Feet per Minute (CFM) in full sunlight.
- Unit Dimensions: Height 7", Top 25.5" x 21.25", Flat Base: 24.5" x 24.5", Curb Base: 20.25" x 20.25". Unit Weight: 15lbs.
- Package Size: 27.25" x 25.5" x 11.25" wide. Shipping Weight: 16 lbs.

Flat Model #FB7266



Curb Model #CB7266

